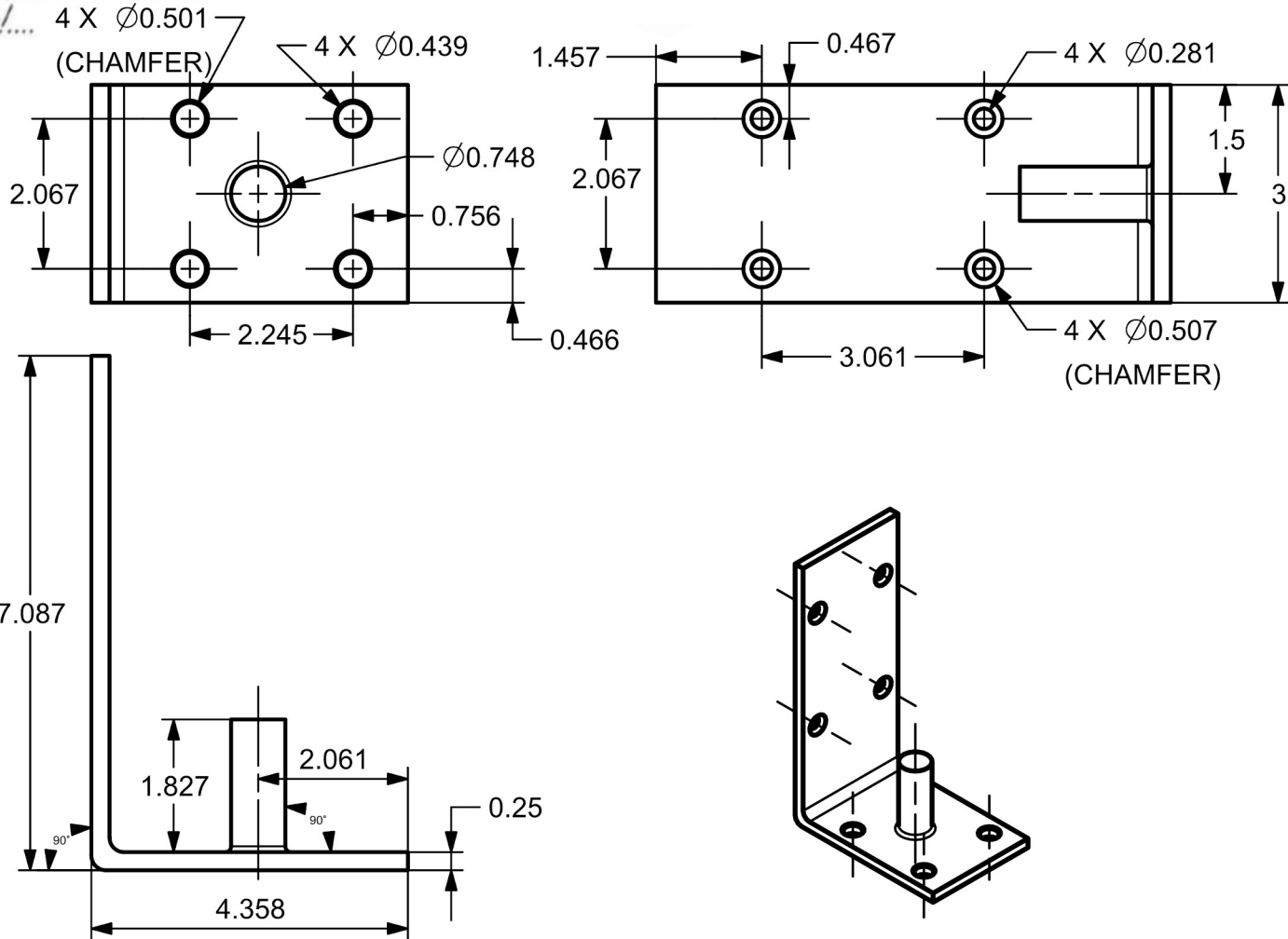


Puertas & Portones Automaticos, S.A. de C.V.

¡Nuestra pasión es la Solución!...



TOLERANCE EXCEPT AS NOTED
+/- 1/32", +/- 0.032"

ALL DIMENSIONS IN INCHES
REMOVE ALL BURRS AND
BREAK ALL SHARP EDGES

JAMISON DOOR LATINOAMERICA		Job: Impacto	Date: 25/04/19
SCALE: 1:2		DRAWN: AXEL	REV.: B
CHECKED: CESAR		Title: ESCUADRA BASE INFERIOR ACERO INOX	
		Part Number: S/N 457	



(229) 461-7028

portonesautomaticos@adsver.com.mx
portonesautomaticos@prodigy.net.mx

